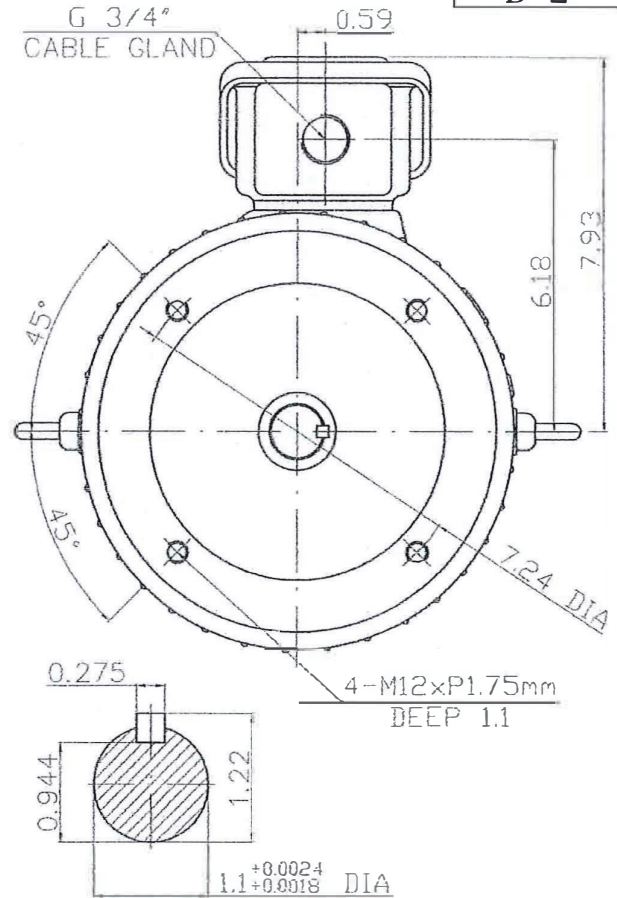
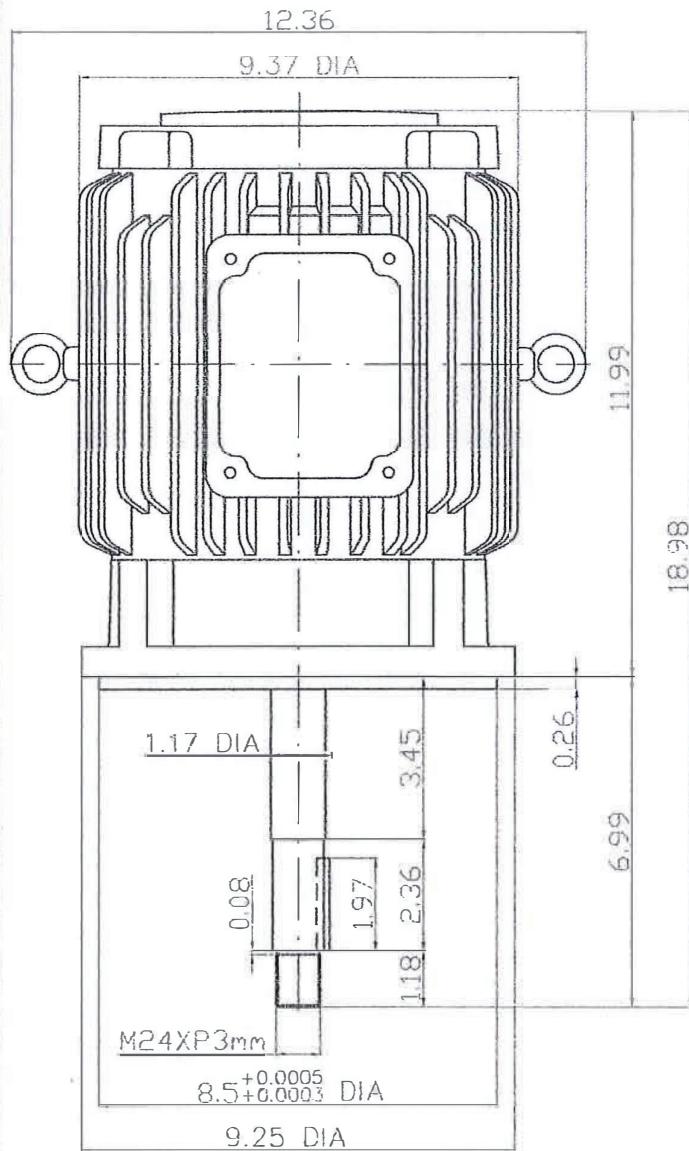


3-PHASE INDUCTION MOTOR

Type	Out Poles	Poles	Rating Voltages	Hertz	Frame	Ins. class	Weight
AEVF-NM	2HP	8P			184C	F	Kg
							B-2



- 1. IP55
- 2. Terminal box screw stainless steel
- 3. Add SUS304 nuts to shaft end
- 4. Shaft end eccentricity below 0.15mm

OUTLINE DIMENSIONS

CUSTOMER

LCN110307

SU ZHOU LIANG CHI MOTOR CO., LTD.